

1. Press the CLEAN button. The machine will drain. The auger will run for a short time and then stop. Wait for the LOW WATER light to come on.
2. Mix 1 gal. (3.8L) 120 F (49 C) water and one 7 oz. (198 g) packet of Follett SafeClean Plus (P/N 01050863).
3. Using a 1 quart (1L) container, slowly fill cleaning cup until CLEANER FULL light comes on. Do not overfill.
4. Place one Sani-Sponge™ in remaining sanitizing and cleaning solution and retain for Step 9.

Note: Do not use bleach to sanitize or clean the icemaker.

5. Replace cover on cleaner cup. Machine will clean, then flush 3 times in approximately 15 minutes. Wait until machine restarts.

6. To clean/sanitize ice transport tube – Press power switch OFF

7. Disconnect coupling as shown.
8. Using disposable food service grade gloves, insert dry Sani-Sponge.
9. Insert Sani-Sponge soaked in SafeClean Plus (from Step 4).
10. Push both Sani-Sponges down ice transport tube with supplied pusher tube.

11. Remove and discard 16 inch (407 mm) pusher tube.

12. Reconnect coupling. Press power switch ON. Ice pushes Sani-Sponges through ice transport tube.

13. Place a sanitary (2 gal. or larger) container in bin or dispenser to collect Sani-Sponges and ice for 30 minutes.

14. Collect 5.5 lbs (3 kg) of ice from unit. Discard ice and Sani-Sponges.

Fig. 1

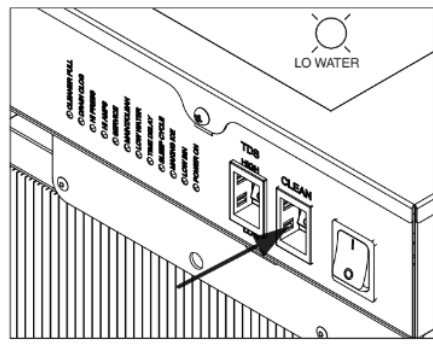


Fig. 2

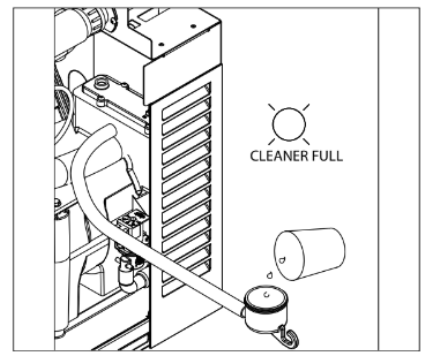


Fig. 3

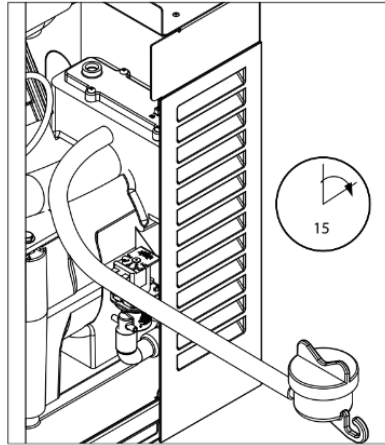


Fig. 4

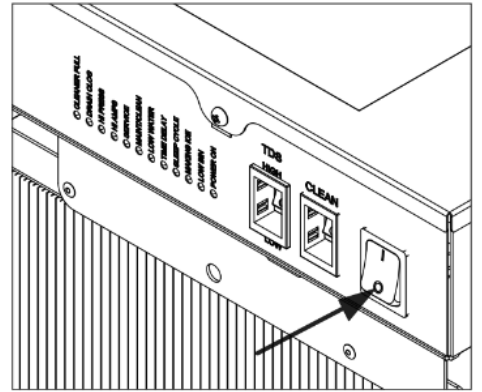


Fig. 5

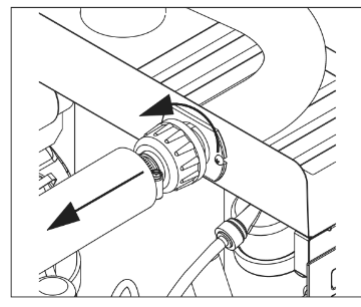


Fig. 6

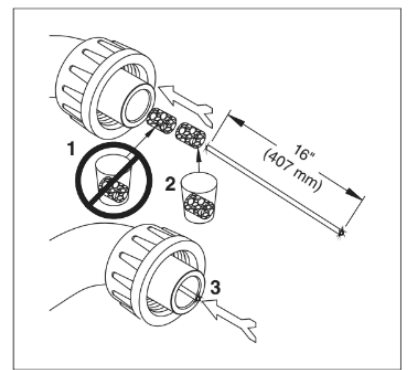


Fig. 7

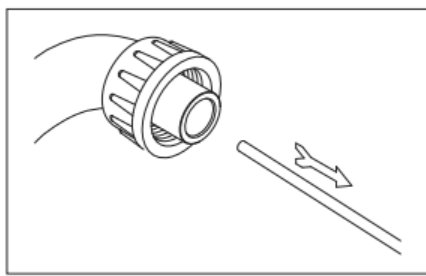


Fig. 8

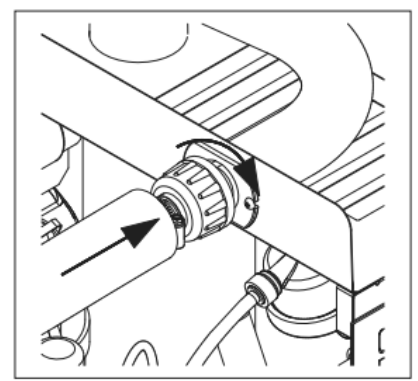


Fig. 9

